

CARVER CORPORATION APPLICATION BULLETIN

Application Bulletin # TX-11A-2

Model: TX-11A

Serial Nos. As Needed

REASON: This modification will provide the correct de-emphasis for the new NSRC AM format. This change was incorporated in the TX-11B.

Date: 3/30/89

DELETE

Qty 2 4.7kΩ 1/4W resistor (R403,R404)
KA25ST472J
Qty 2 .0068μF mylar capacitor (C161,C162)
MY-50VU682J

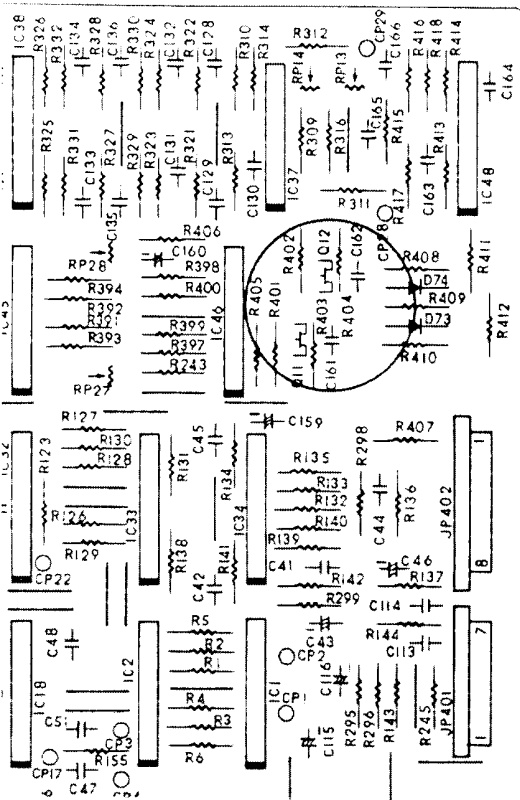
ADD

Qty 2 3.3kΩ 1/4W resistor (R403,R404)
251-00082-00
Qty 2 .0033μF mylar capacitor (C161,C162)
204-00009-00

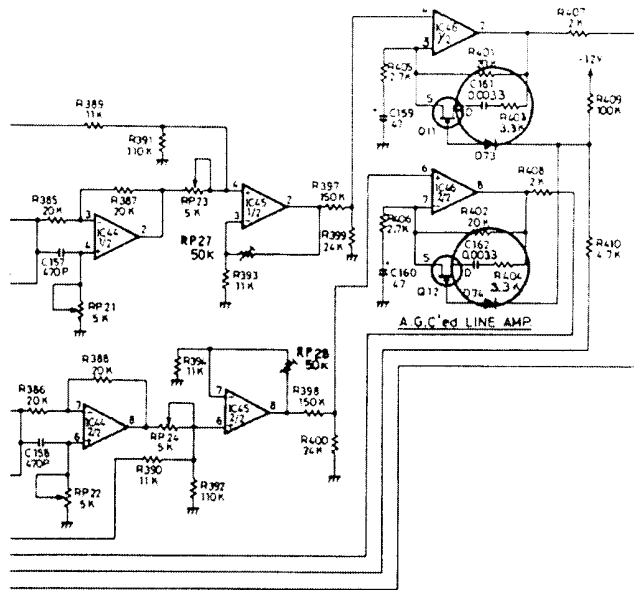
PROCEDURE

On the FM NR/AM Accessory PCB (CNR-642B), replace R403 and R404 with 3.3kΩ 1.4W resistors, and replace C161 and C162 with .0033μF capacitors, as indicated below.

NOTE: This modification is not covered under warranty.



CNR-642B FM NR/AM Accessory P.C. Board



Noise Reduction

Engineering Approval

[Signature]

Date 3-18-91

Service Approval

Date